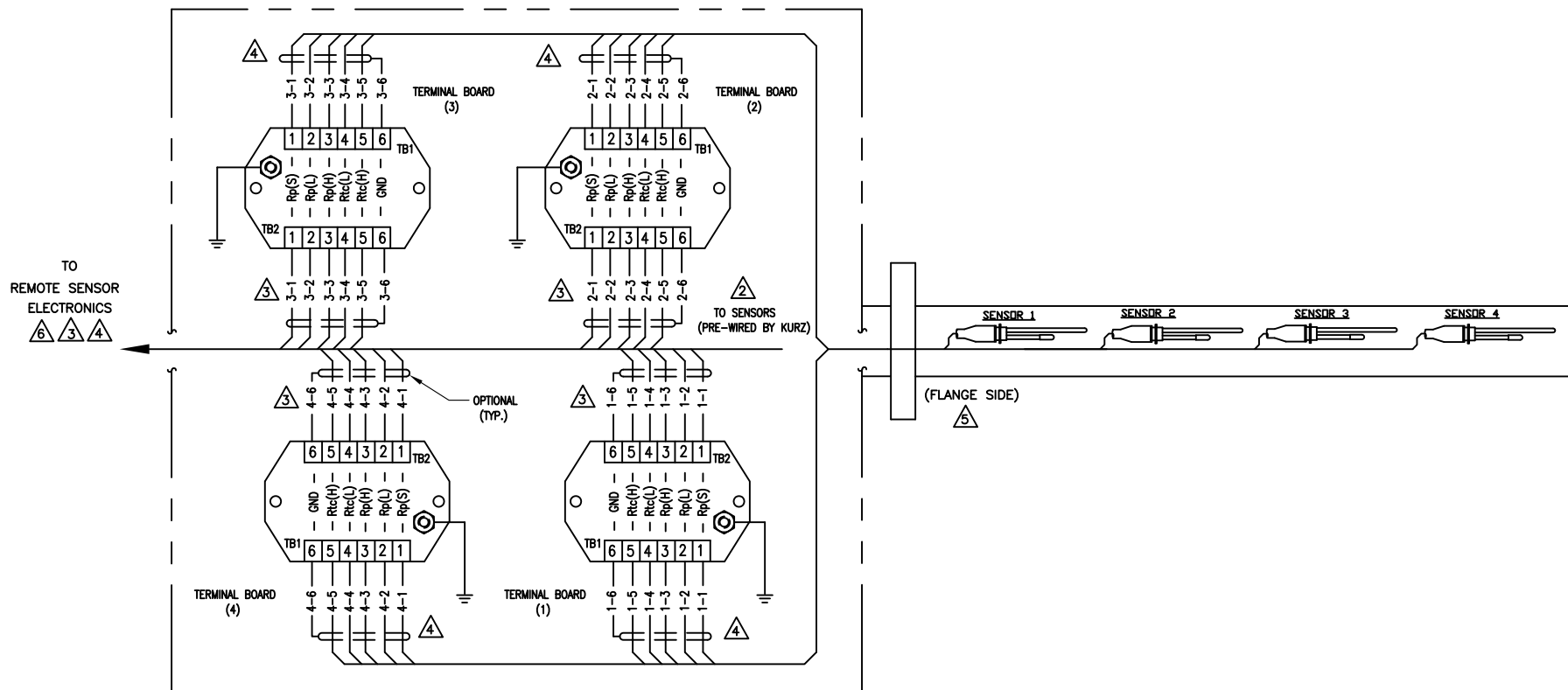


K-BAR 2000B TERMINAL JUNCTION ENCLOSURE  
(ONE PCB PER SENSOR, QTY.4 MAX.)

REVISIONS					
REV.	DESCRIPTION	BY	CHKD	APRVD	DATE
A	RELEASED PER ECO #C47251	RM	BBB	BBB	8/21/07

KURZ INSTRUMENTS, INC. PROPRIETARY RIGHTS ARE INCLUDED IN THE INFORMATION CONTAINED HEREIN. THIS DOCUMENT IS THE PROPERTY OF KURZ INSTRUMENTS, INC. AND SHALL BE RETURNED OR DESTROYED UPON REQUEST. NO PARTS OF THIS DOCUMENT SHALL BE REPRODUCED OR TRANSMITTED IN ANY FORM OR BY ANY MEANS, ELECTRONIC OR MECHANICAL, INCLUDING PHOTOCOPYING, RECORDING, OR BY ANY INFORMATION STORAGE AND RETRIEVAL SYSTEM, WITHOUT PERMISSION IN WRITING BY KURZ INSTRUMENTS, INC.



TO  
REMOTE SENSOR  
ELECTRONICS

TO SENSORS  
(PRE-WIRED BY KURZ)

(FLANGE SIDE)

⚠ OBSERVE SENSOR LEAD COLOR CHART BELOW:

⚠ SENSOR WIRING NOT IN A SHIELD CONDUIT CAN USE A BRAIDED SHIELD CABLE TERMINATION. PERIPHERAL BONDED CABLE SHIELD TERMINATION REQUIRED (i.e. HAWKE, 501/453 UNIV)

NOTES (FOR SHEET 1 ONLY): UNLESS OTHERWISE SPECIFIED

1. REFERENCES DESIGNATORS AND TERMINAL NO. ARE FOR REFERENCE ONLY AND MAY NOT APPEAR ON COMPONENTS.

⚠ PREWIRED BY KURZ.

⚠ 5-WIRE CABLE ELEMENT MUST HAVE MATCHED RESISTANCE ON EACH WIRE SO THE SENSOR BRIDGE CIRCUIT CAN COMPENSATE FOR THE SENSOR LEAD RESISTANCE. GND WIRE #6 IS OPTIONAL

CONSTRAINTS:  
MAXIMUM WIRE LENGTH FOR 1 OHM PER WIRE

AWG	MAX. LENGTH (FT)
18	157
16	249
14	396
12	630

$|E:| \text{WIRE}(R_{ph}) - \text{WIRE}(R_{pl})| \leq 0.01\Omega, \Delta R 0.01\Omega \text{ MAX.}$

SENSOR LEAD COLOR CHART		
SENSOR WIRE DESCRIPTION	TFL/TFZ WIRE COLOR	TFL CABLE WIRE COLOR
Rp SENSE LEAD, Rp(S)	RED	WHITE/RED
Rp LOW SIDE, Rp(L)	RED	WHITE/GREEN
Rp HIGH SIDE, Rp(H)	YELLOW	WHITE/ORANGE
Rtc LOW SIDE, Rtc(L)	WHITE	WHITE
Rtc HIGH SIDE, Rtc(H)	WHITE	WHITE/BLUE
GROUND	N/A	BRAIDED SHIELD

⚠ SENSOR CLOSEST TO FLANGE IS NO. 1.

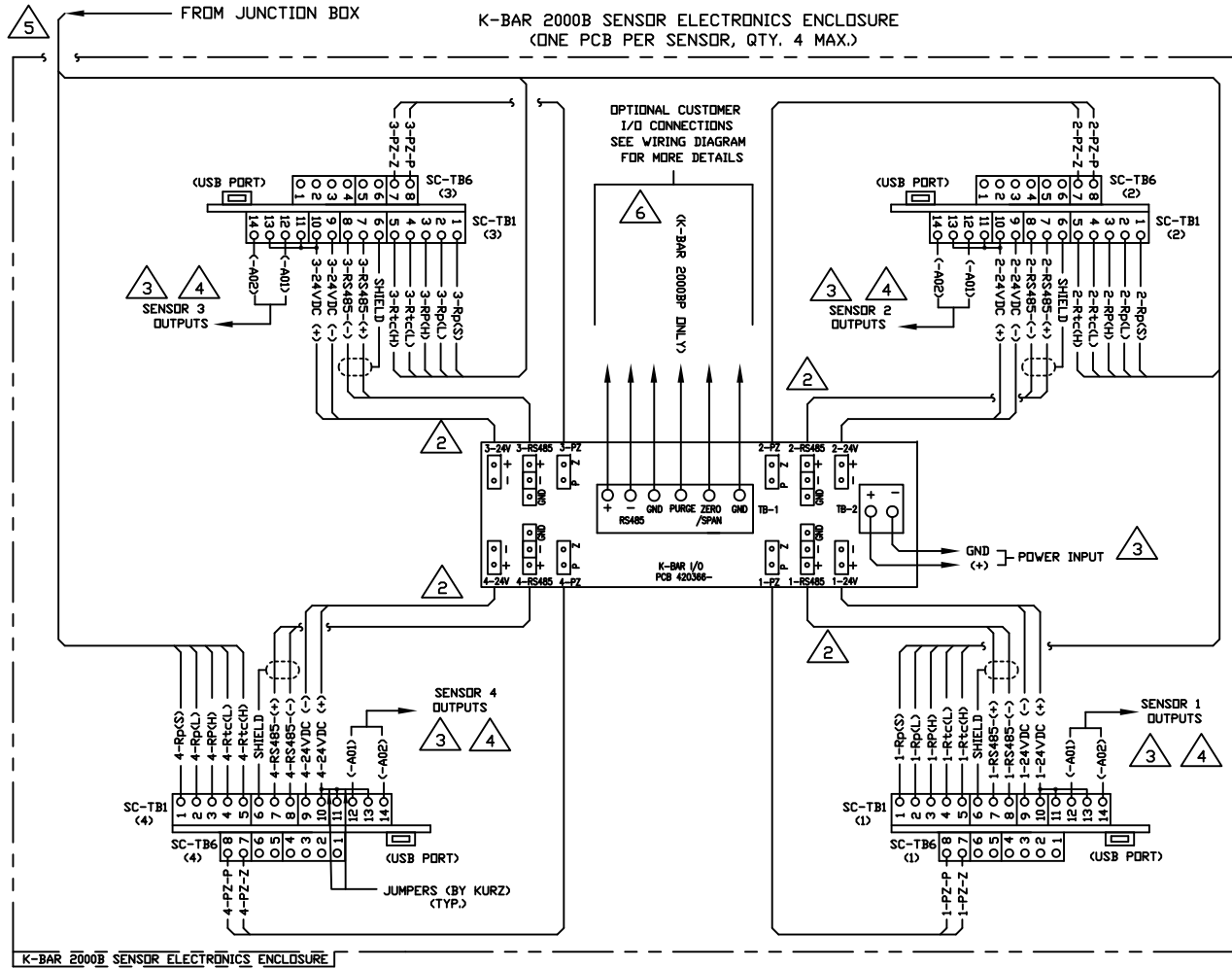
UNLESS OTHERWISE SPECIFIED DIMENSIONS ARE IN INCHES	APPROVALS	
	TOLERANCES ARE	DRAWN BY
FRACTIONS ± 1/16	R. MARTINEZ	8.21.07
ANGLES ± 1°-0'	CHECKED BY	DATE
DECIMALS	B. BURTON	8/21/07
.X ± 0.1	APPROVED	DATE
.XX ± 0.03	B. BURTON	8/21/07
.XXX ± 0.003		
ORIG. RELEASE DATE		

**KURZ INSTRUMENTS, INC.**

K-BAR 2000B TS FIELD WIRING  
DIAGRAM (ATEX)

DWG. SIZE	DWG. NO.	342041	REV.	A
C	SCALE	1" = 1"	SHEET	1/2

KURZ INSTRUMENTS, INC. PROPRIETARY RIGHTS ARE INCLUDED IN THE INFORMATION DISCLOSED HEREIN. WHETHER THIS DOCUMENT CONTAINS INFORMATION DISCLOSED HEREIN OR NOT, THIS DOCUMENT IS THE PROPERTY OF KURZ INSTRUMENTS, INC. AND IS TO BE RETURNED TO OTHERS FOR MANUFACTURING OR FOR ANY OTHER PURPOSE EXCEPT AS SPECIFICALLY AUTHORIZED IN WRITING BY KURZ INSTRUMENTS, INC.



NOTES (FOR SHEET 2 ONLY): UNLESS OTHERWISE SPECIFIED.

- 1. REFERENCE DESIGNATORS AND TERMINAL NO. ARE FOR REFERENCE ONLY AND MAY NOT APPEAR ON COMPONENTS.
- 2. PREWIRED BY KURZ.
- 3. TO MODEL 155 MASS FLOW COMPUTER.
- 4. KURZ TO PRE-WIRE JUMPERS FROM SC-TB1-10 TO SC-TB1-11 & SC-TB11 TO SC-TB1-13 (TYP.) 2x
- 5. SENSOR WIRING NOT IN A SHIELD CONDUIT CAN USE A BRAIDED SHIELD CABLE TERMINATION. PERIPHERAL BONDED CABLE SHIELD TERMINATION REQUIRED (i.e. HAWKE, 501 /453 UNIV)



K-BAR I/O PCB OPTIONAL I/O CONNECTIONS		
TERMINAL NUMBER	NAME	DESCRIPTION
TB-1 RS485 (+)	RS485 (+)	RS485 (+) LEAD
TB-1 RS485 (-)	RS485 (-)	RS485 (-) LEAD
TB-1 RS485 GND	RS485 GND	CHASSIS GND, USED FOR RS485 SHIELD
TB-1 PURGE	PURGE START	SHORT TO GND TO ACTIVATE THE PURGE TIMER SEQUENCE
TB-1 ZERO/SPAN	ZERO/SPAN START	SHORT TO GND TO ACTIVATE THE ZERO/SPAN CALIBRATION SEQUENCE
TB-1 GND	GND	CHASSIS GND, USED FOR 24 V POWER GND

UNLESS OTHERWISE SPECIFIED DIMENSIONS ARE IN INCHES	APPROVALS	
	TOLERANCES ARE	DRAWN BY
FRACTIONS ± 1/16	R. MARTINEZ	8/20/07
ANGLES ± 1'-0"	CHECKED BY	DATE
DECIMALS	B. BURTON	8/21/07
.X ± 0.1	APPROVED	DATE
.XX ± 0.03	B. BURTON	8/21/07
.XXX ± 0.003		
ORIG. RELEASE DATE		

**KURZ INSTRUMENTS, INC.**  
 K-BAR 2000B TS FIELD WIRING  
 DIAGRAM (ATEX)

DWG. SIZE	DWG. NO.	342041	REV. A
C	SCALE	1" = 2"	SHEET 2 OF 2